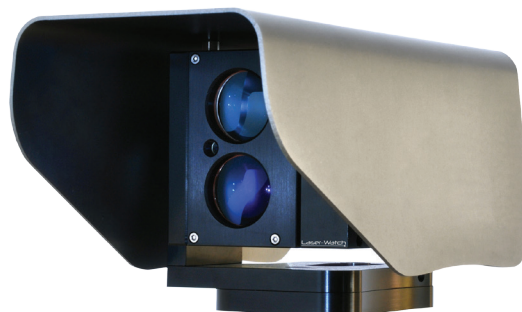
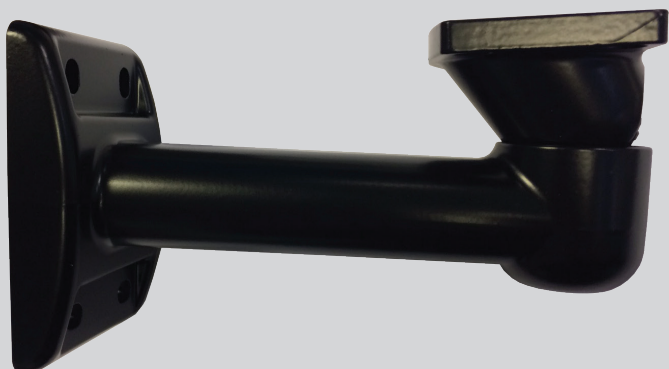




Laser-Watch Bracket

Mounting bracket for when it is required to fit the Laser-Watch to a structure or post.



PRODUCT CODES

GJD517 Laser-Watch wall mount bracket

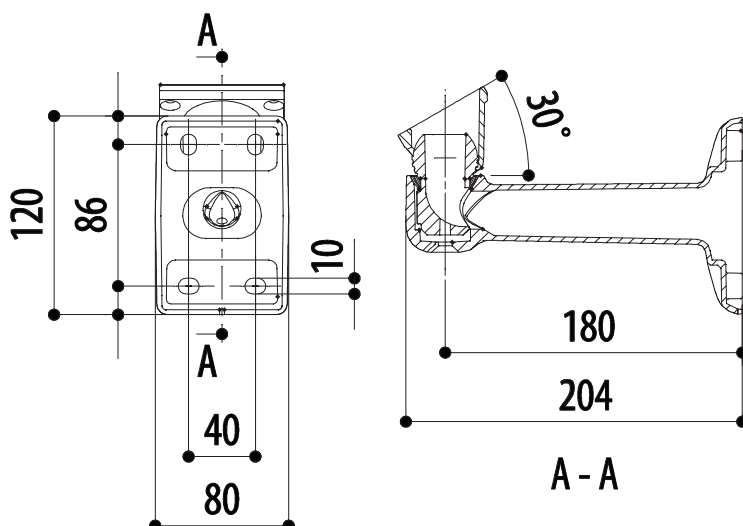
FINISH OPTION



Black



DIMENSIONS (mm)



Please note GJD reserve the right to change the information within this document, without notice.

