



ELITE PIR Detector

The Elite offers a high level of adaptability. There are seven different modes of operation, giving various permutations of normally open and normally closed arrangements for the two volt-free relays, plus a selection of timing and functional options for the relay changeover contacts.

Other programmable parameters include the duration of timed changeover, a pulse count feature and a choice of detection ranges from 10 to 35 metres.

PRODUCT CODES

GJD022 Elite External PIR Burgundy Housing

GJD023 Elite External PIR White Housing

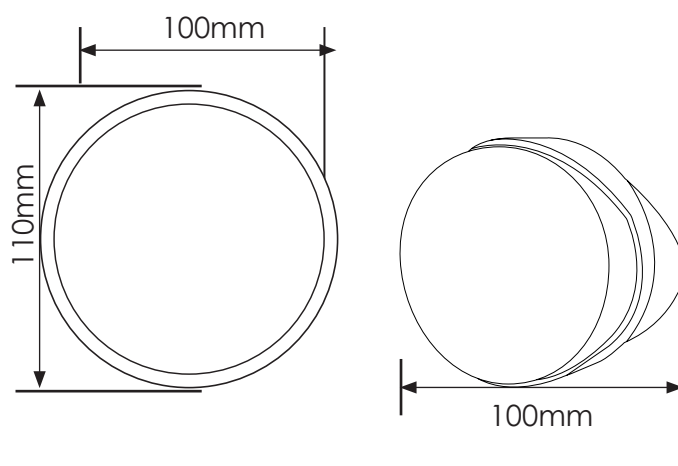
UNIQUE FEATURES

Digital ASIC/ microprocessor control
Output test mode with LED indication
Digital white light filter
Area reduction mask (if required)
Non-volatile memory

END USER BENEFITS

Conformally coated electronics for increased stability
GJD 100% test verification
Aesthetically pleasing design
Programmable detection ranges

DIMENSIONS



SECTORS



RESIDENTIAL



COMMERCIAL



INDUSTRIAL



BORDERS



MILITARY BASES



PORTS



POWER PLANTS



HERITAGE



AIRPORTS

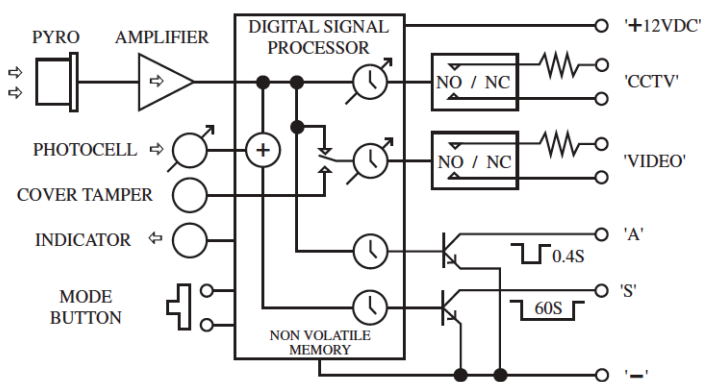


PRISONS

TECHNICAL SPECIFICATIONS

DETECTION AREA		10 to 35 metres (adjustable) up to 750 sq metres
COVERAGE		90 degree 35 metres x 30 metres max
ADJUSTMENT		180 degree pan + 90 degree tilt
FRESNEL LENS		36 zone - white light filter
CUSTOMISED OPTICS		Double silicon shielded dual element eliminates 50,000+ lux of white light
OUTPUTS		Silent solid state magnetically immune
ALARM 1	'CCTV'	Volt free relay signal contact @ 24VAC/DC @ 50mA with an integral 30Ohm series resistor. Selectable normally open/normally closed. Adjustable timer options: 0.4 to 60 seconds
ALARM 2	'VIDEO'	Volt free relay signal contact @ 24VAC/DC @ 50mA. Selectable normally open/normally closed with an integral 30 ohm series resistor. Adjustable timer options: 2 to 60 seconds
ALARM 3	'A'	Open collector negative switching - 25mA max. Alarm period 400ms
ALARM 4	'S'	Open collector negative switching - 25mA max. Alarm period: Detection + 60 seconds Adjustable: Dusk (2 lux) to 24 hour
POWER INPUT		9 to 15VDC
CURRENT		10mA (12V nominal)
PULSE COUNT		1,2,3 & 4 previous detection ≤ 6 seconds
TAMPER		Opens for 2 seconds when cover removed and / or 'A' & 'S' outputs pulse for 60 seconds (programmable)
TEMPERATURE COMPENSATION		Digital sensitivity adjustment
OPERATING TEMPERATURE		-20 to +55°C
HOUSING		High Impact ABS
PROTECTION RATING		IP55
DIMENSIONS		104 x 100 x 100mm
WEIGHT		145 grams
MOUNTING HEIGHT		Variable - optimum height 3 metres
CABLE	UP TO 200 METRES UP TO 500 METRES	Utilising all four outputs - 8 core 7/0.2mm Utilising all four outputs - 8 core 16.0.2mm
PART NUMBER (BURGUNDY)		GJD022
PART NUMBER (WHITE)		GJD023

GJD ELITE BLOCK DIAGRAM



RELIABILITY

Detecting emitted infra-red energy of humans equates to recognising subtle changes of energy in the detectors field of view; whilst rejecting changes in other wave lengths that are caused by other factors.

The Elite's custom designed ASIC microprocessor combined with GJD's unique optical system, filters the information received to give the required precision detection performance.

GJD combine this technology with a double silicon shielding of the pyroelectric sensor. The combination of precision electronics, digital white light filter and double shielding resists more than 50,000 lux of unwanted sunlight; therefore eliminating false alarms from visible light sources.

Please note GJD reserve the right to change the information within this document, without notice.

